

LFT30W1HC

MediLine



 GERMAN
ENGINEERING

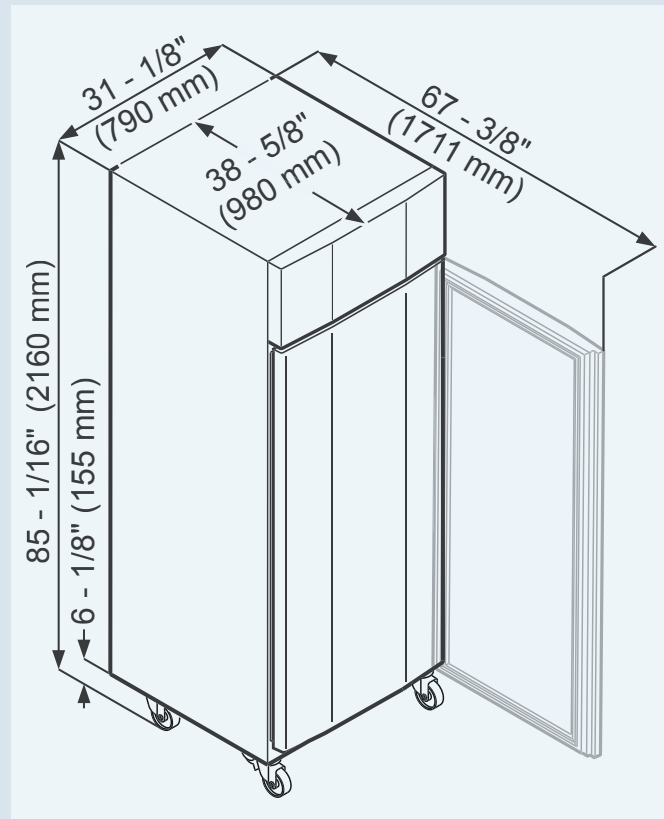
LIEBHERR

Laboratory Freezer with Top Mount Compressor and Electronic Controls



Laboratory freezer with electronic controls	LFT30W1HC MediLine
Total gross/net capacity l (cu.ft.)	856/831 (30.2/29.3)
Exterior dimensions in mm (w/d/h)	790/980/2160
in inches (w/d/h)	31 1/8"/38 5/8"/85 1/16"
Interior dimensions in mm (w/d/h)	623/805/1500
in inches (w/d/h)	24 9/16"/31 3/4"/59 1/16"
Energy consumption in 365 days *	2048 kWh
Ambient temperature in °C (°F)	16°C to 43°C (61°F to 109°F)
Refrigerant	R290
Sound rating **	65 dB(A)
Connection rating	10.0 A
Frequency/voltage	60 Hz/115V~
Cooling system/Defrost	forced-air/automatic
Temperature range in °C (°F)	-10°C to -35°C (14°F to -31°F)
External cabinet finish	steel/white
Door/lid material	steel
Internal liner material	stainless steel
Type of control	electronic control
Temperature display	external digital
Alarm	visual and audible
Alarm forwarding	yes
Interior light	LED ceiling light
Adjustable shelves	4
Shelf material	clear-coated wire shelves
Shelf load weight in kg (lbs)	60 (132.3)
Usable shelf area in mm (inches)	623/789 (24 9/16"/31 1/8")
Casters	casters with brake at the front, fixed casters at the rear
Handle	full-length integrated handle
Lock	recessed
Self-closing door	yes
Door hinges	right, reversible on site
Insulation in mm (inches)	83-60 (3 5/16"-2 3/8")
Gross/net weight in kg (lbs)	190/159 (418.9/350.5)
Accessories	
Shelf, plastic-coated	7113325
U-shaped tray slide, right	9005089
U-shaped tray slide, left	9005077
Foot pedal opener	9590659
Side-by-Side kit	9901947

Unit Dimensions



Subject to alterations.

* Measured unloaded at 26.6°C (80°F) ambient temperature with set point of -17.7°C (0°F).

** Noise level – sound power re 1pW – according to IEC 60704-2-14.